



9512-200-200



Discover
the potential



AKSHARA
Connect With Premium Product

Savema
Marking and Coding Machines

SAVEMA SERIES THERMAL TRANSFER OVERPRINTERS

32*40 I, 32*50 I 53*40 I, 53*50 I 32 C, Magnetic



Common Specifications for All Printers

Software: SAYASIS Template Design (Date and Time, Sustom Formatted Date and Time, Text, Text Block, Merge Fields, Database Support, Counter, Logo, 1D / 2D Barcodes, GS-1 Barcodes, Table Creation Support and User-Friendly Interface) Windows Driver Support, Teklynx Software (Code-soft, Labelview and Label Matrix Support), Emulator Support, Printer Management with SPPL (Savema Protocol) Commands, Printer Control with Rempte Control)

Barcodes: 1D Barcodes (EAN-13, EAS-8, CODE 128, CODE 39, CODABAR, ITF 2of5, ITF 14, UPC-A, UPC-E ...), 2D Barcodes (Datamatrix, QR Code, PDF417, Aztec code...), GS-1 Barcodes (GS1-128, GS1-Datamatrix, GS1-Databar Barcodes)

Resolution: 300dpi (12 dots/mm) horizontally and vertically

Memory: 5000 Template Storage Capacity, 1GB Internal Memory Up to 16GB SD Memory Card Support, Up to 32GB USB Memory Support

Specifications	32*40 I (Intermittent)		53*40 I (Intermittent)			
Print Area	32mm x 40mm		53mm x 40mm			
Print Speed	50 - 300 mm/sec					
Production	100 prints/min.					
Ribbon Widths & Length	22mm, 35 mm (0.9" - 1.4") & 600 meters (656yards) loaded ribbon (max outer dia 75mm)		35mm, 55 mm (1.4" - 2.2") & 600 meters (656yards) loaded ribbon (max outer dia 75mm)			
Power Supply	100/240V 50/60 Hz					
Air Supply (Bar)	Magnetic / Don't Need Air					
Input/Outputs	Print signal / Fault signal, Busy signal					
Output Messages	Update Error, Contact Error, Ribbon Break / Not Found Error, Remaining Ribbon Quantity, Number of Printed Templates, Number of Prints per Minute					
Connection Types	Relay(NPN, PNP) - Photocell (NPN, PNP)					
Communications	RS-232, Ethernet, USB					
Ribbon Save Modes	Vertical & Horizontal Ribbon Save Modes					
Advanced Control	4.3" Touch Screen Control, Template Changing while Running, Print Position Adjustment, Contrast, Print Delay, Template Specific Adjustment, Internal Contact Signal, Multi-print Contact Signal, Template Shifting, Template Rotation					
Operator Interface	4.3" 272x480 Pixels Resolution, Full-color display, Password protection on menus, Multi-language(18) support					
Weight (Printer)	5.6 Kg.		5.8 Kg.			
Dimensions	175mm H x 190mm W x 197mm D		175mm H x 190mm W x 210mm D			
Operating Temperature:	5°C-40°C (41 °F-104 °F)					
Specifications	32*50 I (Intermittent)		53*50 I (Intermittent)		32 C (Continuous)	
Print Area	32 mm x 50 mm		53 mm x 50 mm		32 mm x 125 mm	
Print Speed	50 - 400 mm/sec		50 - 400 mm/sec		10 - 550 mm/sec	
Production	320 prints/min		320 prints/min		500 prints/min	
Ribbon Widths & Length	22mm, 35mm (0.9" - 1.4") & 600 meters (656yards) loaded ribbon		35mm, 55mm (1.4" - 2.2") & 600 meters (656yards) loaded ribbon		22mm, 35mm (0.9" - 1.4") & 600 meters (656yards) loaded ribbon	
Power Supply	100-240V 50-60 Hz					
Air Supply (Bar)	Min. 1 bar - Max. 4 bar					
Input/Outputs	Print Signal/Fault Signal, Busy Sugnal					
Output Messages	Update Error, Contact Error, Ribbon Break / Not Found Error, Remaining Ribbon Quantity, Number of Printed Templates, Number of Prints per Minute			Missing Print Error, Encoder Error, Update Error, Contact Error, Ribbon Break / Not Found Error, Remaining Ribbon Quantity, Number of Printed Templates, Number of Prints per Minute		
Connection Types	Relay(NPN, PNP) - Photocell(NPN, PNP)					
Communications	RS-232, Ethernet, USB					
Ribbon Save Modes	Vertical and Horizontal Ribbon Save Modes				Vertical Ribbon Save Modes	
Advanced Control	4.3" Touch Screen Control, Template Changing while Running, Print Position Adjustment, Contrast, Print Delay, Template-Specific Adjustment, Internal Contact Signal, Multi-print Contact Signal, Template Shifting, Template Rotation			4.3" Touch Screen Control, Template Changing while Running, Contrast, Print Delay, Template-Specific Adjustment, Internal Contact Signal, Multi-print Contact Signal, Template Shifting, Template Rotation		
Operator Interface	4.3" 272x480 pixels resolution, Full-color display, Password protection on menus, Multi-language(18) support					
Weight (Printer)	5.6 Kg.		5.8 Kg.		5.1 Kg.	
Dimensions	175mm H x 190mm W x 197mm D		175mm H x 190mm W x 210mm D		175mm H x 190mm W x 197mm D	
Operating Temperature:	1°C - 55 °C (34 °F-131 °F)					

SAVEMA SERIES THERMAL TRANSFER OVERPRINTERS

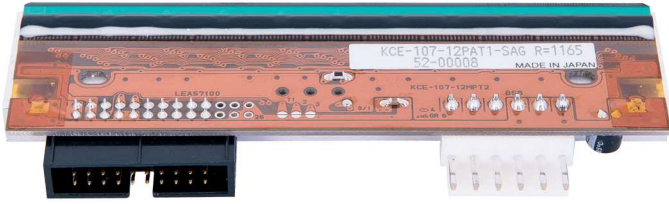
32*701, 53*701
32*CL, 53*125 I
53 C



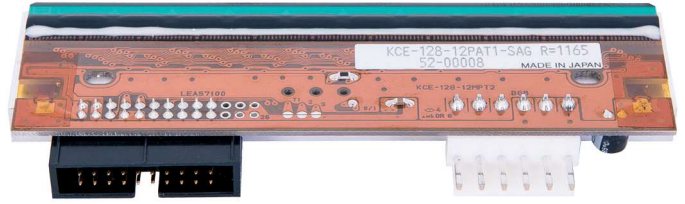
Specifications	32*70 I (Intermittent)		32 CK (Continuous with Cassette)
Print Area	32 mm x 76 mm		32 mm x 125 mm (Standard) 32 mm x 500 mm (Optional)
Print Speed	50 - 500 mm/sec		10 - 1000 mm/sec
Production	330 prints/min		500 prints/min
Ribbon Widths & Length	22mm, 35 mm (0.9" - 1.4") & 600 meters (656 yards) loaded ribbon		
Power Supply	100-240V 50-60 Hz		
Air Supply (Bar)	Min. 1 bar - Max. 4 bar		
Input/Outputs	Print Signal/Fault Signal, Busy Signal		
Output Messages	Update Error, Contact Error, Ribbon Break / Not Found Error, Remaining Ribbon Quantity, Number of Printed Templates, Number of Prints per Minute	Missing Print Error, Encoder Error, Update Error, Contact Error, Ribbon Break / Not Found Error, Remaining Ribbon Quantity, Number of Printed Templates, Number of Prints per Minute	
Connection Types	Relay (NPN, PNP) - Photocell(NPN, PNP)		
Communications	RS-232, Ethernet, USB)		
Ribbon Save Modes	Vertical & Horizontal Ribbon Save Modes		Vertical Ribbon Save Modes
Advanced Control	4.3" Touch Screen Control, Template Changing while Running, Print Position Adjustment, Contrast, Print Delay, Template-Specific Adjustment, Internal Contact Signal, Multi-print Contact Signal, Template Shifting, Template Rotation		4.3" Touch Screen Control, Template Changing while Running, Contrast, Print Delay, Template-Specific Adjustment, Internal Contact Signal, Multi-print Contact Signal, Template Shifting, Template Rotation
Operator Interface	4.3" 272x480 Pixels Resolution, Full-color display, Password protection on menus, Multi-language (18) support		
Weight (Printer)	9.4 Kg.		8.9 Kg.
Dimensions	180mm H x 220mm W x 222 mmD		
Operating Temperature:	1 °C - 55 °C (34°F-131 °F)		
Specifications	53*70 I (Intermittent)	53*125 I (Intermittent)	53 C (Continuous)
Print Area	53 mm x 76 mm	53 mm x 125 mm	53 mm x 125 mm (Standard) 53 mm x 500 mm (Optional)
Print Speed	50 - 500 mm/sec	50 - 500 mm/sec	10 - 1000 mm/sec
Production	330 prints/min		500 prints/min
Ribbon Widths & Length	22mm, 35 mm (1.4" - 2.2") & 600 meters (656 yards) loaded ribbon		
Power Supply	100-240V 50-60 Hz		
Air Supply (Bar)	Min. 1 bar - Max. 4 bar		
Input/Outputs	Print Signal/Fault Signal, Busy Signal		
Output Messages	Update Error, Contact Error, Ribbon Break / Not Found Error, Remaining Ribbon Quantity, Number of Printed Templates, Number of Prints per Minute	Missing Print Error, Encoder Error, Update Error, Contact Error, Ribbon Break / Not Found Error, Remaining Ribbon Quantity, Number of Printed Templates, Number of Prints per Minute	
Connection Types	Relay (NPN, PNP) - Photocell(NPN, PNP)		
Communications	RS-232, Ethernet, USB)		
Ribbon Save Modes	Vertical & Horizontal Ribbon Save Modes		Vertical Ribbon Save Modes
Advanced Control	7" Touch Screen Control, Template Changing while Running, Print Position Adjustment, Contrast, Print Delay, Template-Specific Adjustment, Internal Contact Signal, Multi-print Contact Signal, Template Shifting, Template Rotation		7" Touch Screen Control, Template Changing while Running, Contrast, Print Delay, Template-Specific Adjustment, Internal Contact Signal, Template Shifting, Template Rotation
Operator Interface	7" 800x480 Pixels Resolution, Full-color display, Password protection on menus, Multi-language (18) support		
Weight (Printer)	9.4 Kg.	11 Kg.	8.9 Kg.
Dimensions	180mm H x 220mm W x 233 mmD	180mm H x 248mm W x 265 mmD	180mm H x 220mm W x 233 mmD
Operating Temperature:	1 °C - 55 °C (34°F-131 °F)		

CONSUMABLES

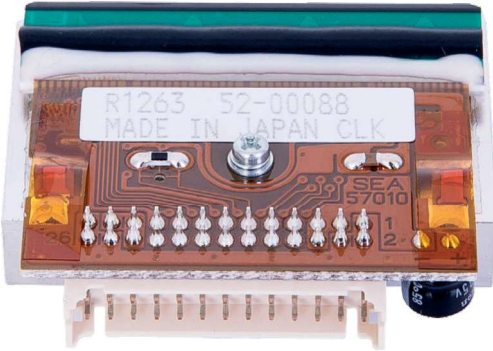
NEAR EDGE KCE 107 THERMAL PRINT HEAD



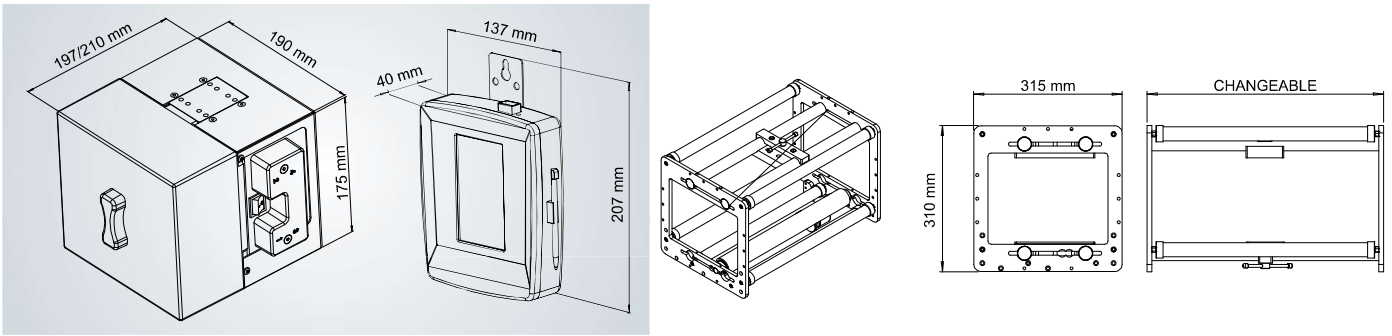
NEAR EDGE KCE 128 THERMAL PRINT HEAD



NEAR EDGE KCE 32 THERMAL PRINT HEAD



NEAR EDGE KCE 53 THERMAL PRINT HEAD



(BRACKET DIMENSION)

NEAR EDGE THERMAL RIBBONS

- Wax/Resin Grade
- Premium Wax/Resin Grade
- Resin Grade



For further information, please contact your nearest sales representative.