

# MARK1 PRINTING

25.4mm  
**MARK1**  
M10e with MAXe Printhead  
For Large Outercase Printing



## M10e & MAXe

CONTROLLER

PRINthead

---

Cost Effective Touch Screen Controller  
With One-Inch Printhead

# M10e

CONTROLLER

# MAXe




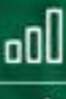
PRINTHEAD

Cost Effective Touch Screen Controller  
With One-Inch Printhead

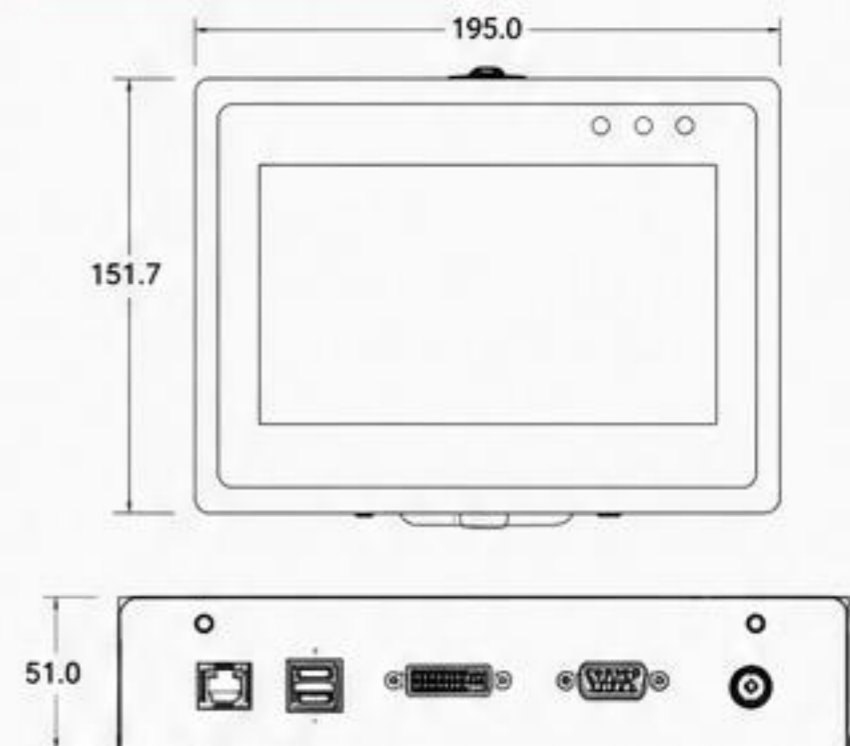
### FEATURES

 <b>Wide Range Of Print Types</b>	<ul style="list-style-type: none"> <li>Text, Counter</li> <li>Box/Lot</li> <li>Datetime</li> <li>Expiry Date</li> <li>Julian Date</li> <li>Shiftcode</li> <li>Image</li> <li>Database</li> </ul>
	<b>1D &amp; 2D Barcodes</b> <small>(Code 11, Code 39, Code 128, EAN, QR, Datamatrix, GS1 Datamatrix)</small>
 <b>External Connections</b>	<ul style="list-style-type: none"> <li>Built in sensor, DVI Port</li> <li>External Sensor, Encoder and Alarm beacon</li> </ul>
 <b>Printable Height</b>	Maximum 25.4mm
 <b>Template Length</b>	1.5m @ 300x300 DPI
 <b>Database</b>	TXT, CSV, SQL, SQLite and MySQL
 <b>Advance Features</b>	<ul style="list-style-type: none"> <li>Free design in template up to 1 inch (25.4mm)</li> <li>Real-time Printing</li> <li>WYSIWYG (what you see is what you get)</li> <li>Data Upload, Backup &amp; Recovery via USB</li> <li>POD (Print online data) Integrate with other devices (PLC, Camera, Checkweigher) via RJ45.</li> </ul> <p><b>Upgrade to the PRO version to use this feature</b></p>
<b>Aa</b> <b>Printable Characters</b>	Windows true fonts
 <b>Print Languages (27 Languages)</b>	English (default), Simplified Chinese (PRC), Traditional Chinese (ROC), Czech, Spanish, Greek, Hindi, Hungarian, Hebrew, Farsi, Japanese, Korean, Urdu, Portuguese, Russian, Arabic, Slovak, Thai, Vietnamese, Turkish (and others)
 <b>System Languages (33 Languages)</b>	English (default), German, Vietnamese, Korean, Russian, Simplified Chinese, Turkish, Portuguese, Spanish, Polish, Greek, Italian, Hebrew, Thai, French, Traditional Chinese ROC, Arabic, Czech, Dutch, Indonesian, Japanese, Bengali, Bulgarian, Croatian, Albanian, Finnish, Hungarian, Macedonian, Romanian, Serbian, Slovenian, Slovak, Ukrainian
 <b>Ink Type</b>	Solvent Base Ink, Water Base Ink
 <b>Ink Security Technology</b>	Private Smartchip
 <b>Operating Environment</b>	Temperature 10 - 40°C, Humidity 40 - 80%, Non-condensing

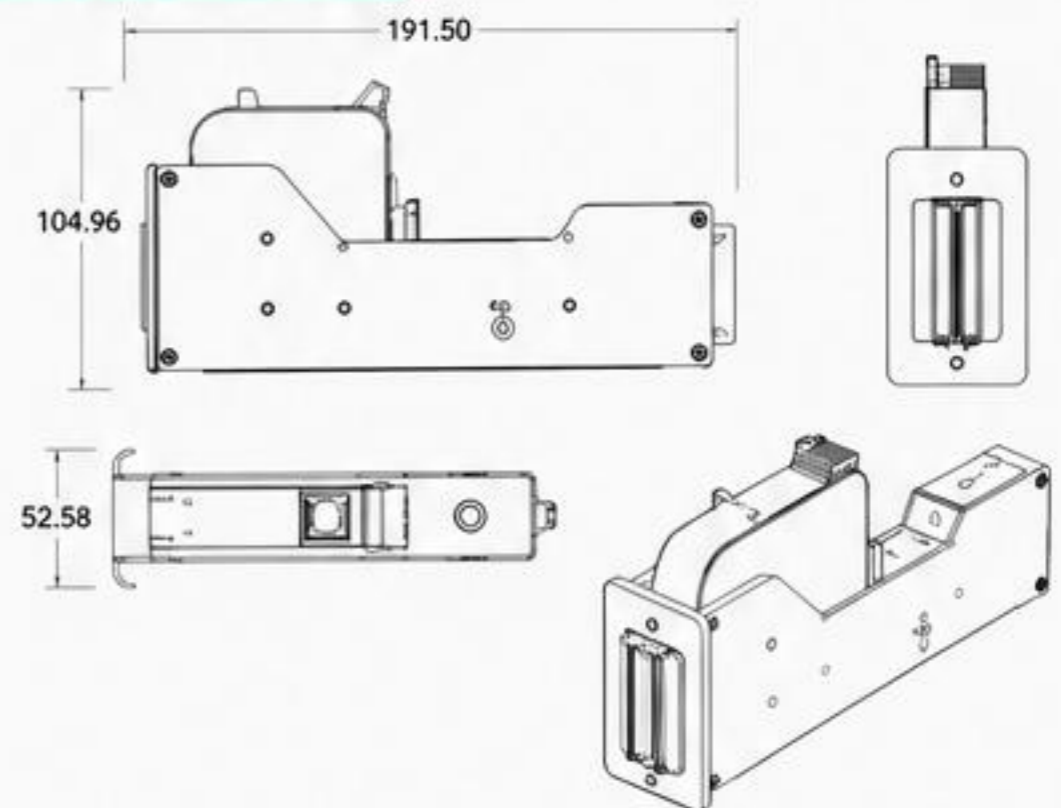
### M10e MAXe TECHNICAL SPECIFICATIONS

	<b>Printing Technology</b>	One-Inch TIJ
	<b>Controller Dimensions</b>	195 x 151.7 x 51mm
	<b>Printhead Dimensions</b>	190.4 x 52.58 x 104.96mm
	<b>Controller Weight</b>	1,100g
	<b>Print Head Weight</b>	390.77g
	<b>Display</b>	7" LCD Resistive Touch Screen
	<b>Power Supply</b>	DC 24V 2.5A, 60W
	<b>Resolutions</b>	Max 300 x 600 DPI
	<b>Print Speed</b>	76m/min @ 300x300 DPI
	<b>Density</b>	3 levels
	<b>Throw Distance</b>	Up to 5mm
	<b>Data Cable</b>	DVI 1.8m Standard

### M10e CONTROLLER



### MAXe PRINTHEAD



7" Touch Screen  
Controller



High Speed  
Printing up to  
76 m/min



High Resolution  
up to  
300 x 600 DPI



Compatible with  
Solvent & Water  
Base Inks

